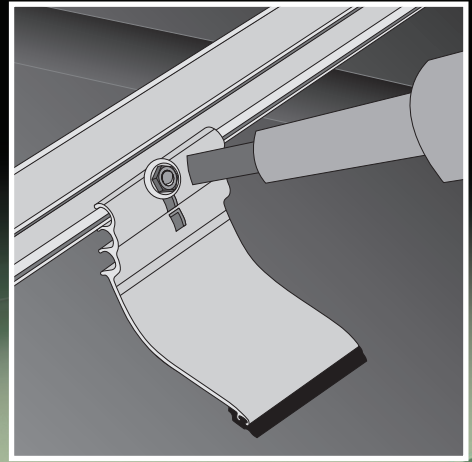
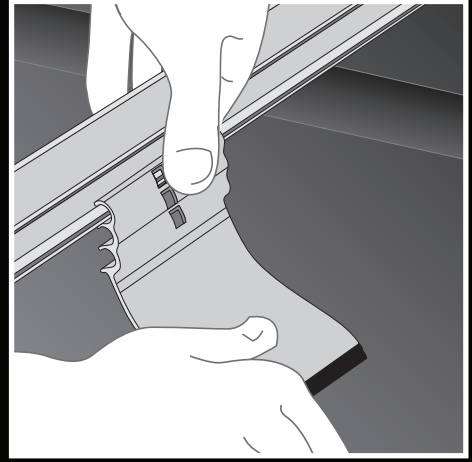


S-5!®

The Right Way!

SnapClip™

SnapClip II™ or SnapClip III™ are optional components that can be added to your S-5! ColorGard® snow retention system to further retard the migration of snow. It has a special integrated rubber "foot" to prevent abrasion of the panel's finish. SnapClip™ snaps onto the back of the crossmember and extends down to the flat of the roofing panel.



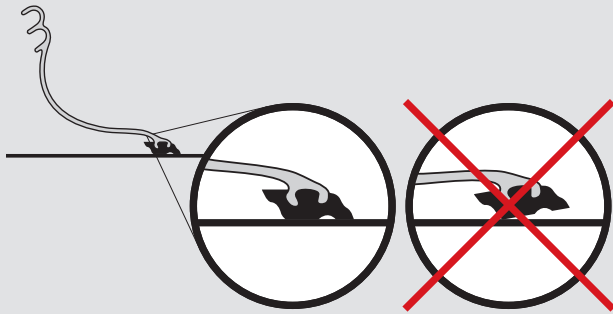
SnapClip™

The right way to attach almost anything to metal roofs!

888-825-3432 | www.S-5.com

SnapClip™ retards the migration of snow and ice when used on S-5![®] ColorGard® snow retention systems.

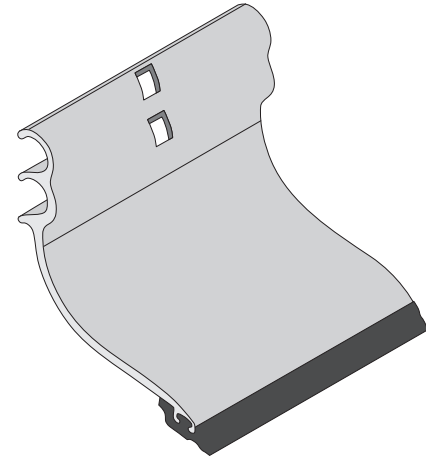
Snap the **SnapClip™** onto your ColorGard® crossmember after installation. One or two clips are used between seams (please visit www.S-5.com for details). Mount the SnapClip to the back of the crossmember using the lock that results with the rubber "foot" resting properly on the panel surface. When applying downward pressure on the part, the "toe" should engage the surface of the panel just before the "heel." Screw SnapClip into place utilizing the provided stainless steel self-tapping screw.



Note:
SnapClip should not be used on copper roofs.

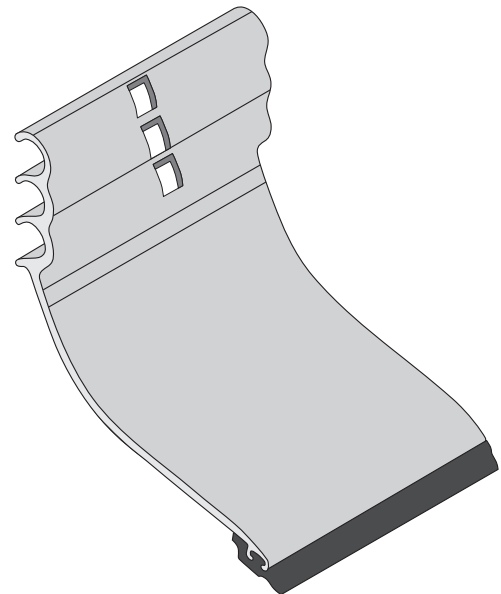
SnapClip II™

SnapClip II™ has 2 locks and is especially made for seam heights of 1" (25 mm) and 1-3/4" (44.5 mm) snap. It will also fit 2" (51 mm) vertical seams, but not 2" (51 mm) horizontal.



SnapClip III™

SnapClip III™ has 3 different locks and will work on seam heights of 1-3/4" (44.5 mm) up to 3" (76 mm).



S-5![®] Warning! Please use this product responsibly!

Products are protected by multiple U.S. and foreign patents. For published data regarding holding strength, bolt torque, patents, and trademarks, visit the S-5! website at www.S-5.com.

Copyright 2014, Metal Roof Innovations, Ltd. S-5! products are patent protected. S-5! aggressively protects its patents, trademarks, and copyrights. Version 090414.

Distributed by